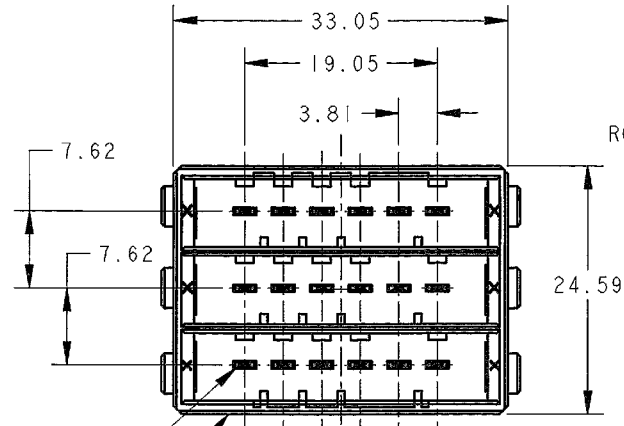
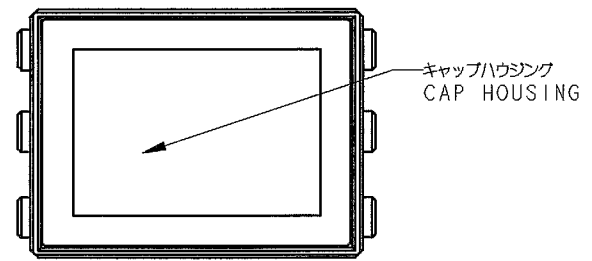
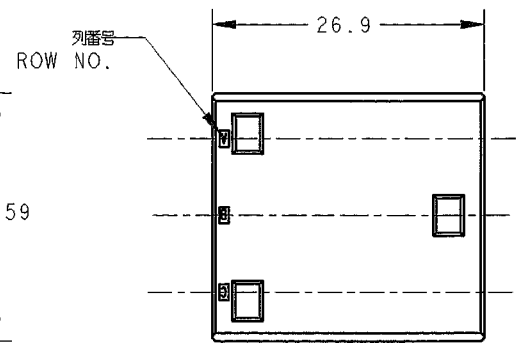


THIS DRAWING IS UNPUBLISHED. RELEASED FOR PUBLICATION 2001
 © COPYRIGHT 2001 BY TYCO ELECTRONICS CORPORATION. ALL RIGHTS RESERVED.

| P | LTR | REVISIONS | | | |
|----|-----|-------------|--------------|-----------|----------|
| | | DESCRIPTION | ECN | DATE | DWN APVD |
| 0 | | RELEASED | FJ00-1740-01 | 26SEP2001 | S.Y S.M |
| 01 | | REVISED | FJ00-0298-03 | 27AUG2003 | D.M S.M |

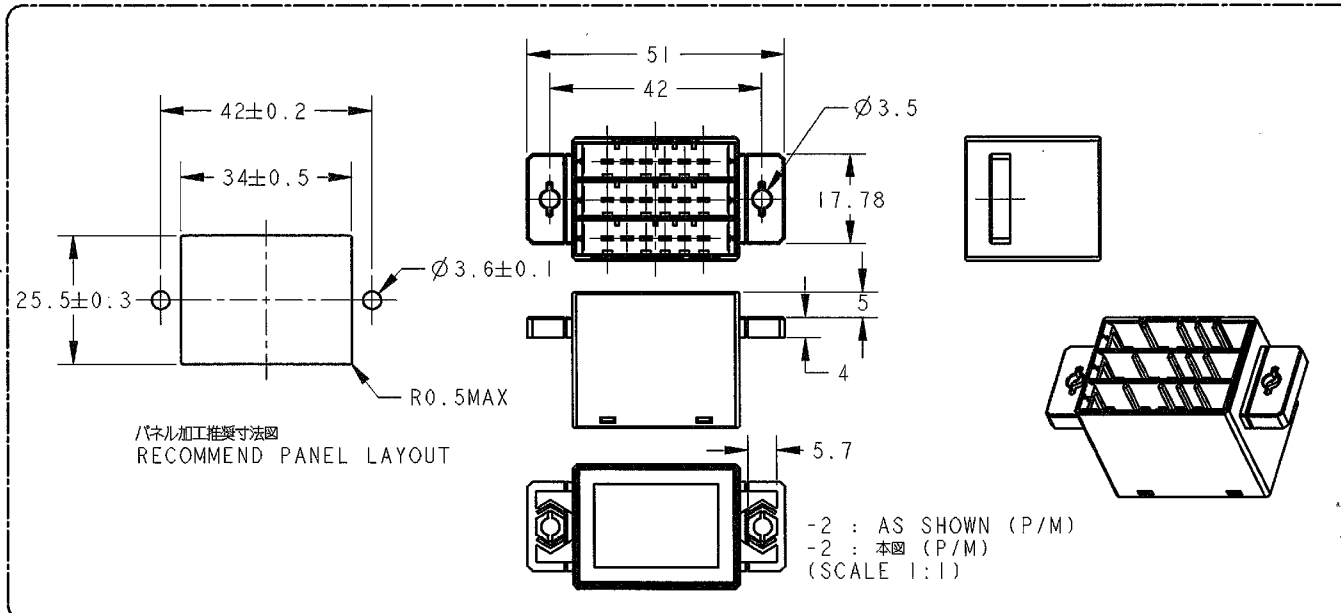
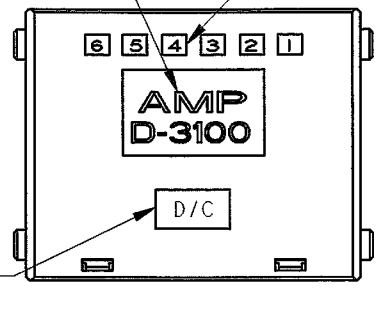


-1 : AS SHOWN (F/H)
 -1 : 本図 (F/H)



タブコンタクト
 TAB CONTACT
 タップハウジング
 TAP HOUSING

AMPマーク&シリーズマーク
 AMP MARK & SERIES MARK
 回路番号
 CIRCUIT No.



注記
 1、材料：ハウジング：ガラス入り熱可塑性ポリエステル樹脂、94V-0、黒
 コンタクト：銅合金
 2、メッキ：コンタクト：全面Ni下地 1.3μmMIN、接点部：金メッキ 0.38μmMIN

NOTE
 1, MATERIAL; HOUSING: GLASS FILED THERMOPLASTIC, 94V-0, BLACK
 CONTACT: COPPER ALLOY
 2, FINISH; UNDER PLATE: Ni 1.3μm MIN, CONTACT AREA: Au 0.38μm MIN

| | | | |
|---|---|--|--|
| <small>THIS DRAWING IS A CONTROLLED DOCUMENT FOR TYCO ELECTRONICS CORPORATION IT IS SUBJECT TO CHANGE AND THE CONTROLLING ENGINEERING ORGANIZATION SHOULD BE CONTACTED FOR THE LATEST REVISION.</small> | | DWN 09AUG2001 S. YOKOZeki CHK 26SEP2001 D. MITSUGI APVD 26SEP2001 S. MANABE | tyco Electronics Tyco Electronics AMP K.K. Kawasaki, Japan |
| DIMENSIONS: 単位: ㎜ | TOLERANCES UNLESS OTHERWISE SPECIFIED: 0 PLC ± 1 PLC ± ±0.4 2 PLC ± ±3° 3 PLC ± ± 4 PLC ± ± ANGLES ± | NAME 名称 DYNATAP CONN. 18P ASSY -DYNAMIC 3100 - | RESTRICTED TO |
| MATERIAL 材料 | FINISH 仕 | SIZE A3 | CAGE CODE 00779 |
| CUSTOMER DRAWING | | DRAWING NO C=1376807 | SCALE 2:1 |
| | | SHEET 1 | OF 1 |
| | | REV 01 | |